

Part number:

**62101-0202**

**Copyright**

© 2012, FLIR Systems, Inc.

All rights reserved worldwide. Names and marks appearing herein are either registered trademarks or trademarks of FLIR Systems and/or its subsidiaries. All other trademarks, trade names or company names referenced herein are used for identification only and are the property of their respective owners.

July 31, 2012, 03:36 AM

**Corporate Headquarters**

FLIR Systems, Inc.  
27700 SW Parkway Ave.  
Wilsonville, OR 97070  
USA  
Telephone: +1-503-498-3547

**Website**

<http://www.flir.com>

**Customer support**

<http://support.flir.com>

**Legal disclaimer**

Specifications subject to change without further notice. Camera models and accessories subject to regional market considerations. License procedures may apply.

Information and equipment described herein may require US Government authorization for export purposes. Diversion contrary to US law is prohibited.



**Imaging and optical data**

IR resolution	320 × 240 pixels
Thermal sensitivity/NETD	< 45 mK @ +30°C (+86°F)
Field of view (FOV) / Minimum focus distance	25° × 19° / 0.4 m (1.31 ft.)
Spatial resolution (IFOV)	1.39 mrad
Image frequency	60 Hz
Focus	Automatic (one shot) or manual
Zoom	1–4x continuous, digital zoom, including panning
Focal Plane Array (FPA) / Spectral range	Uncooled microbolometer / 7.5–13 μm

**Image presentation**

Display	Touch screen, 3.5 in. LCD, 320 × 240 pixels
Image modes	IR image, visual image, thermal fusion, picture in picture, thumbnail gallery
Thermal fusion	IR image shown above, below or within temp interval on visual image
Picture in Picture	Scalable IR area on visual image

**Measurement**

Object temperature range	–20°C to +120°C (–4°F to +248°F) 0°C to +650°C (+32°F to +1202°F)
Accuracy	±2°C (±3.6°F) or ±2% of reading, for ambient temperature 10°C to 35°C (+50°F to 95°F)

**Measurement analysis**

Spotmeter	5
Area	5 boxes with max./min./average
Automatic hot/cold detection	Auto hot or cold spotmeter markers within area
Isotherm	Detect high/low temperature/interval
Difference temperature	Delta temperature between measurement functions or reference temperature
Emissivity correction	Variable from 0.01 to 1.0 or selected from materials list
External optics/windows correction	Automatic, based on inputs of optics/window transmission and temperature
Measurement corrections	Reflected temperature, optics transmission and atmospheric transmission
Measurement function alarm	Audible/visual alarms (above/below) on any selected measurement function

**Set-up**

Color palettes	Arctic, Gray, Iron, Lava, Rainbow and Rainbow HC
Set-up commands	User programmable button, local adaptation of units, language, date and time formats

P/N: 62101-0202

© 2012, FLIR Systems, Inc.  
All rights reserved worldwide.

## Storage of images

Image storage	Standard JPEG, including measurement data, on memory card
Image storage mode	IR/visual images; simultaneous storage of IR and visual images
Periodic image storage	7 seconds to 24 hours (IR) 14 seconds to 24 hours (IR and visual)

## Image annotations

Text	Text from predefined list or soft keyboard on touch screen
Sketch	From touch screen
Report generation	<ul style="list-style-type: none"> <li>Instant Report (*.pdf file) in camera including IR and visual images</li> <li>Separate PC software with extensive report generation</li> </ul>

## Video recording in camera and video streaming

Non-radiometric IR-video recording	MPEG-4 to memory card
Radiometric IR-video streaming	Full dynamic to PC using USB
Non-radiometric IR-video streaming	Uncompressed colorized video using USB

## Digital camera

Built-in digital camera	3.1 Mpixel (2048 × 1536 pixels), and one LED light
Digital camera, FOV	Adapts to the IR lens
Built-in digital lens data	FOV 53° × 41°

## Laser pointer

Laser	Activated by dedicated button
Laser alignment	Position is automatic displayed on the IR image

## Data communication interfaces

Interfaces	USB-mini, USB-A, composite video
USB	<ul style="list-style-type: none"> <li>USB-A: Connect external USB device</li> <li>USB Mini-B: Data transfer to and from PC / Uncompressed colorized video</li> </ul>

## Power system

Battery	Li Ion, 4 hours operating time
Charging system	In camera (AC adapter or 12 V from a vehicle) or 2-bay charger
Power management	Automatic shutdown and sleep mode (user selectable)

## Environmental data

Operating temperature range	-15°C to +50°C (+5°F to +122°F)
Storage temperature range	-40°C to +70°C (-40°F to +158°F)
Humidity (operating and storage)	IEC 60068-2-30/24 h 95% relative humidity +25°C to +40°C (+77°F to +104°F) / 2 cycles
EMC	<ul style="list-style-type: none"> <li>EN 61000-6-2 (Immunity)</li> <li>EN 61000-6-3 (Emission)</li> <li>FCC 47 CFR Part 15 B (Emission)</li> </ul>
Encapsulation	IP 54 (IEC 60529)
Bump	25 g (IEC 60068-2-29)
Vibration	2 g (IEC 60068-2-6)
Safety	EN/UL/CSA/PSE 60950-1

## Physical data

Camera weight, incl. battery	0.880 kg (1.94 lb.)
Camera size (L × W × H)	106 × 201 × 125 mm (4.2 × 7.9 × 4.9 in.), with built-in lens pointing forward
Tripod mounting	UNC ¼"-20 (adapter needed)



---

**P/N: 62101-0202**

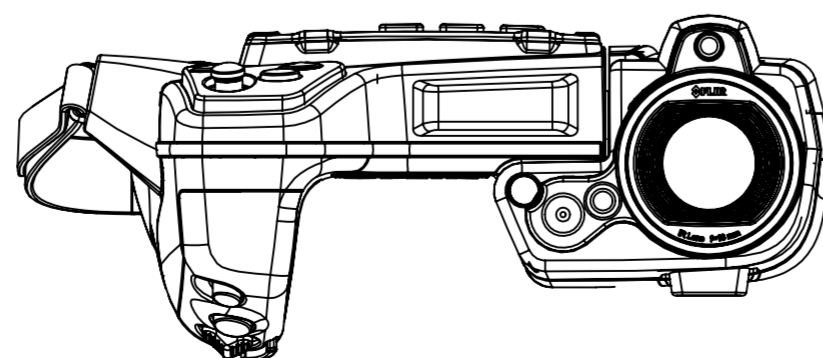
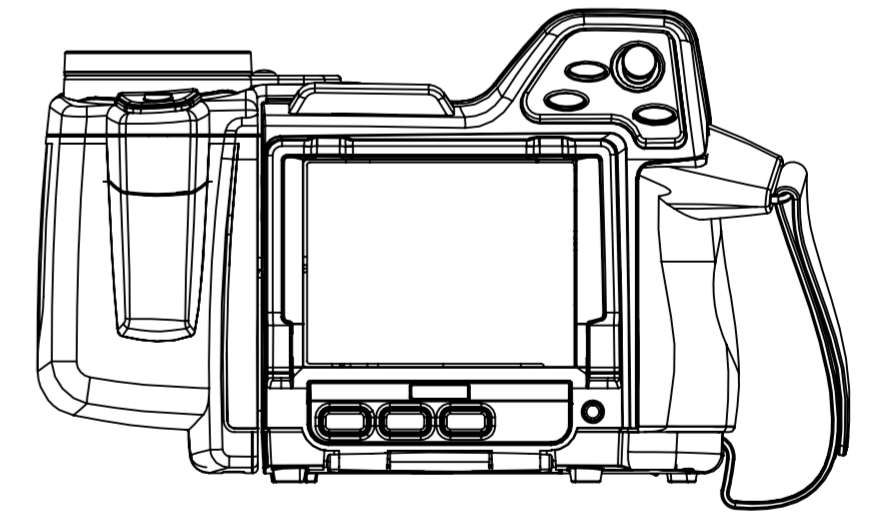
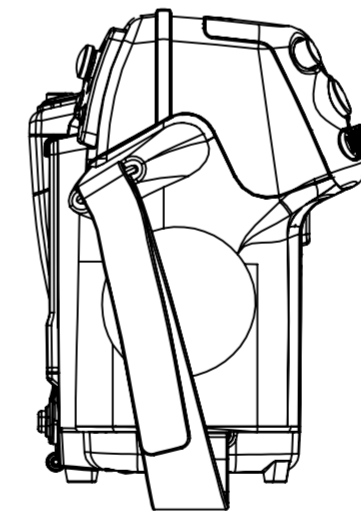
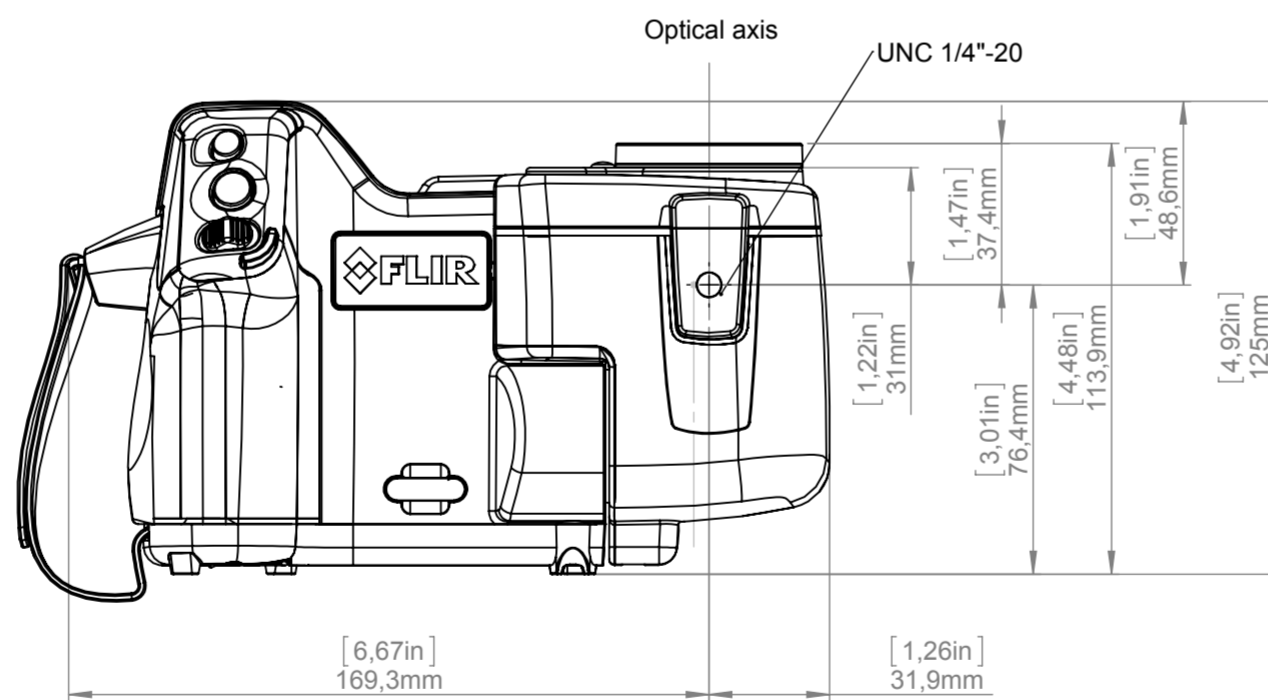
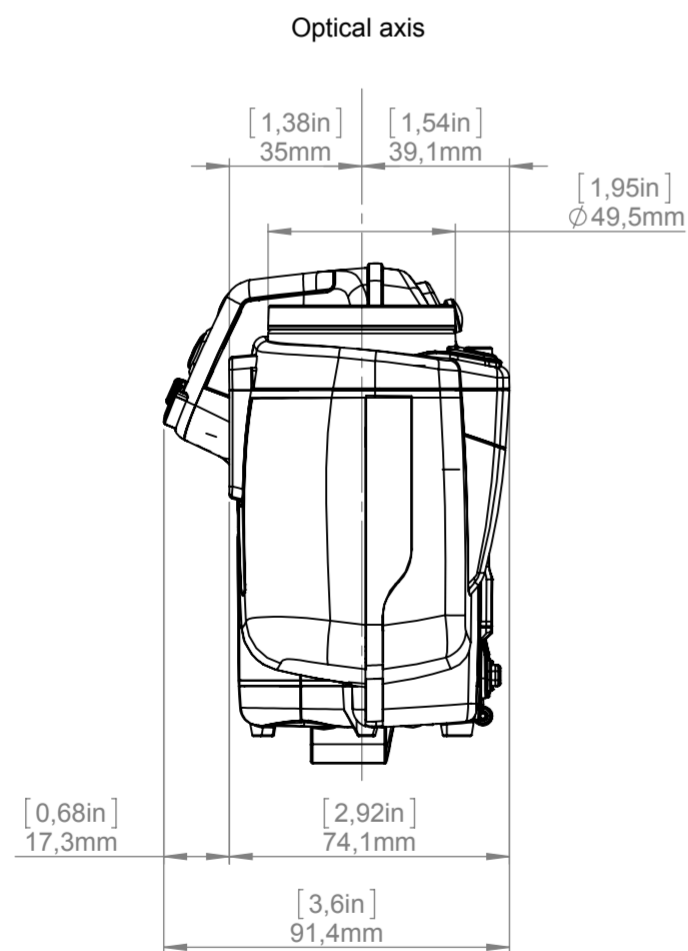
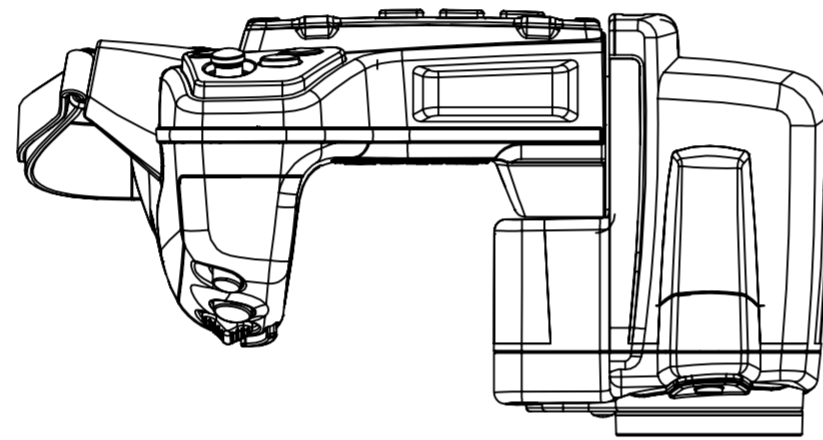
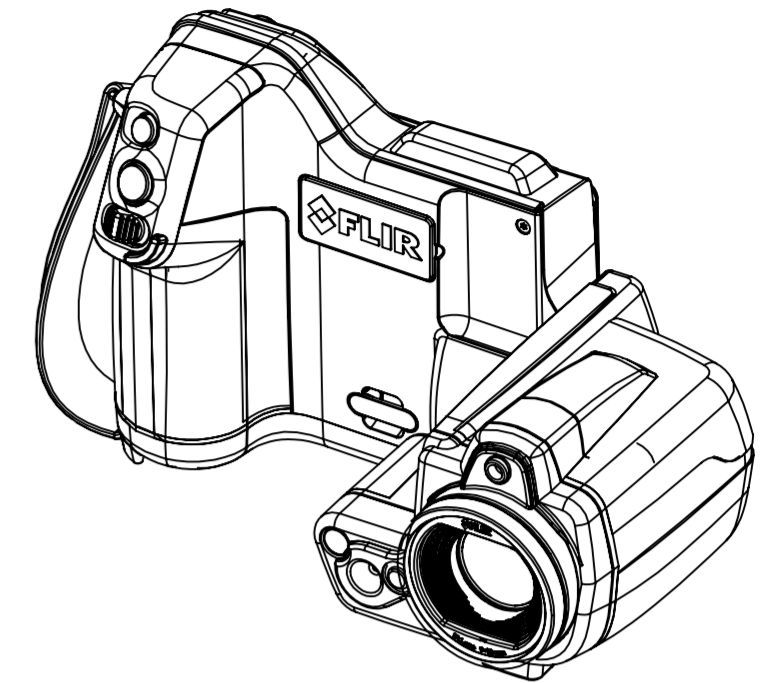
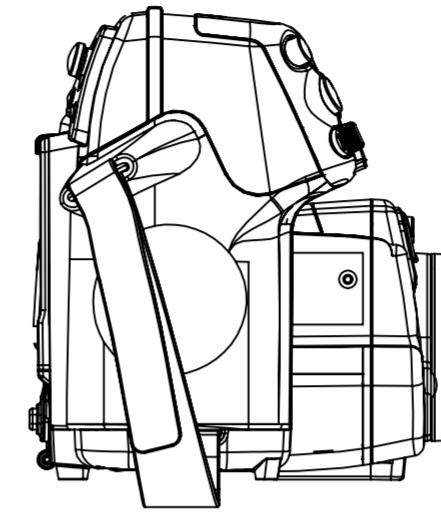
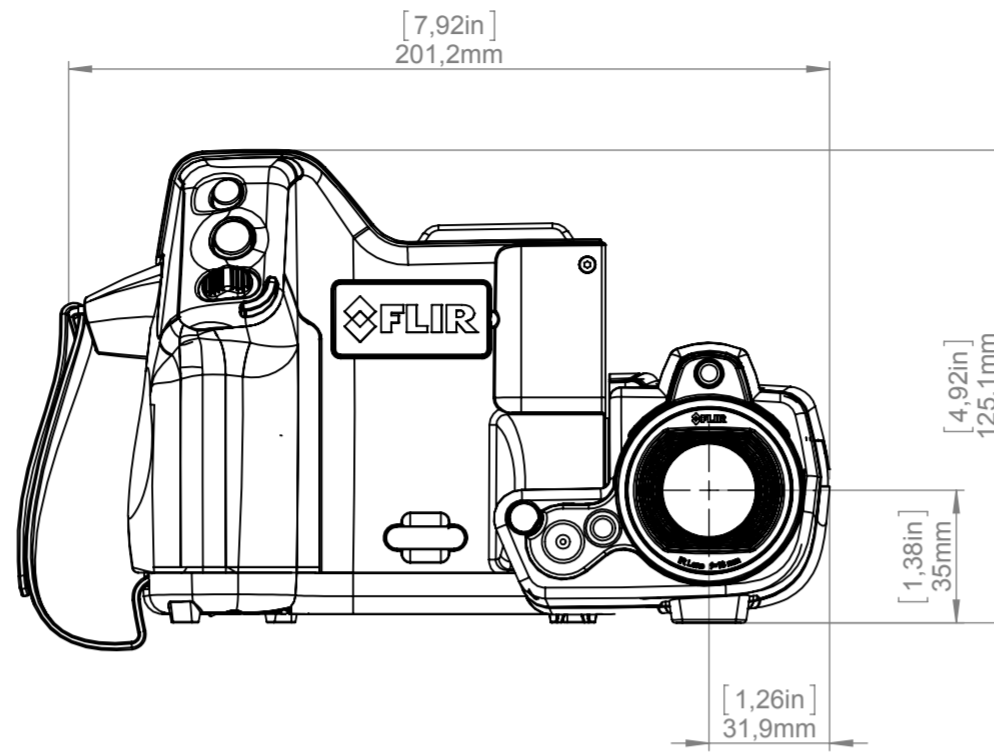
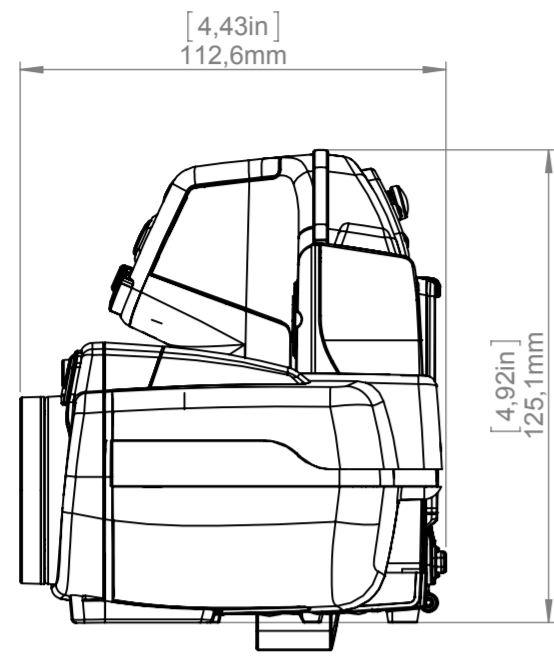
© 2012, FLIR Systems, Inc.  
All rights reserved worldwide.

---

#### Shipping information

- Hard transport case
  - Infrared camera with lens
  - Battery (2 ea.)
  - Battery charger
  - Calibration certificate
  - Camera lens cap
  - Downloads brochure
  - FLIR Tools software
  - Memory card
  - Neckstrap
  - Power supply, incl. multi-plugs
  - Printed Getting Started Guide
  - Printed Important Information Guide
  - Service & training brochure
  - Sunshield
  - USB cable
  - User documentation CD-ROM
  - Video cable
  - Warranty extension card
-

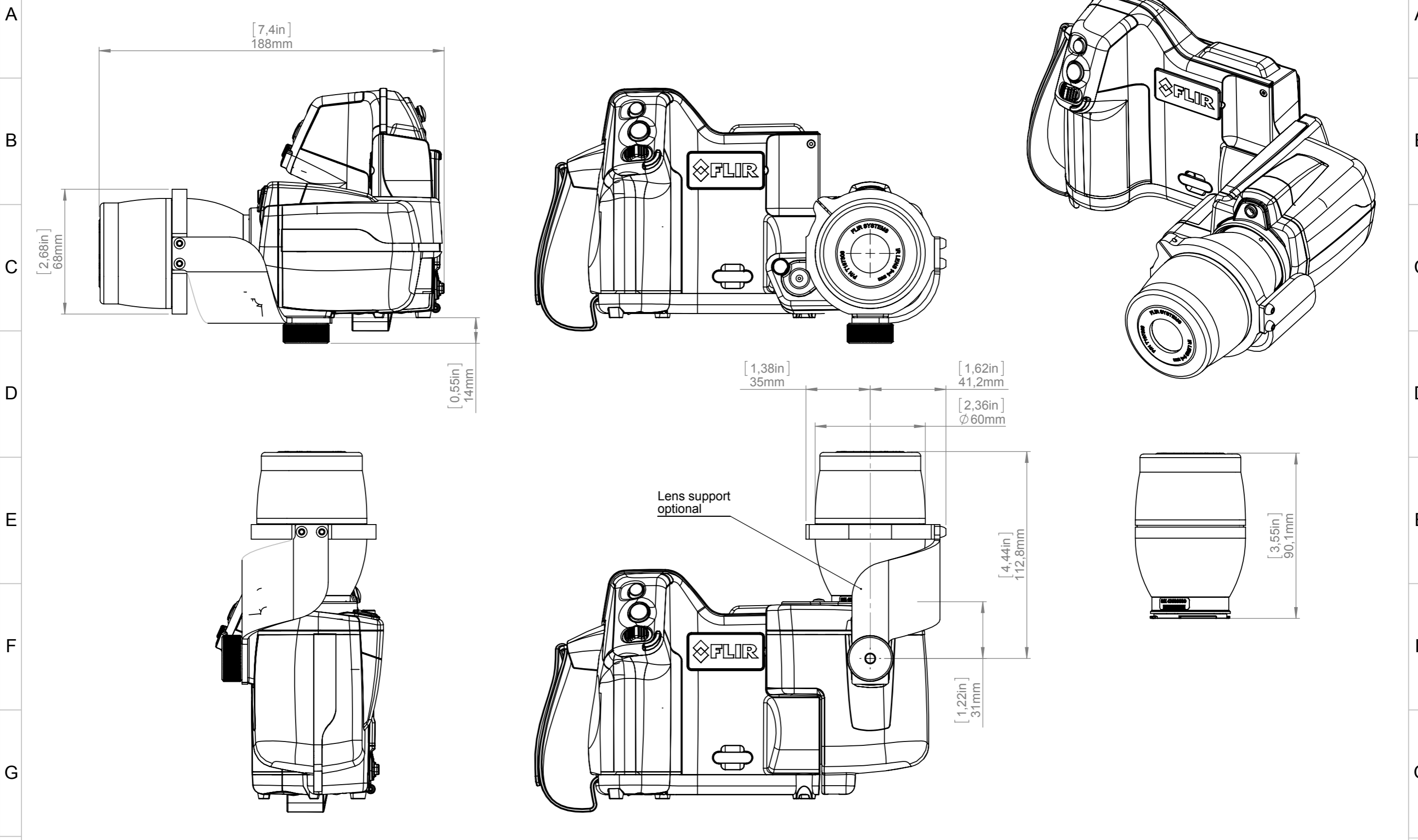
# Camera with built-in IR lens f=18 mm (25°)



© 2012, FLIR Systems, Inc. All rights reserved worldwide. No part of this drawing may be reproduced, stored in a retrieval system, or transmitted in any form, or by any means, electronic, mechanical, photocopying, recording, or otherwise, without the prior written permission of FLIR Systems, Inc. Specifications are subject to change without notice. Dimensional data is based on actual values. Products may be subject to regional market considerations. License procedures may apply. Product may be subject to US Export Regulations. Please refer to exportquestions@flir.com with any questions. Diversion contrary to US law is prohibited.

Modified 2012-06-07	Check JOTA	Drawn by R&D Thermography	
Denomination			
Basic Dimensions FLIR T4xx			Size A3 Scale 1:2 Drawing No. T127604 Sheet 1(7) Size A

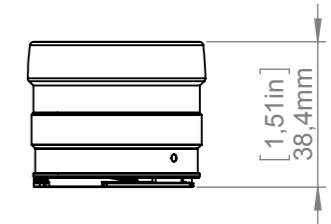
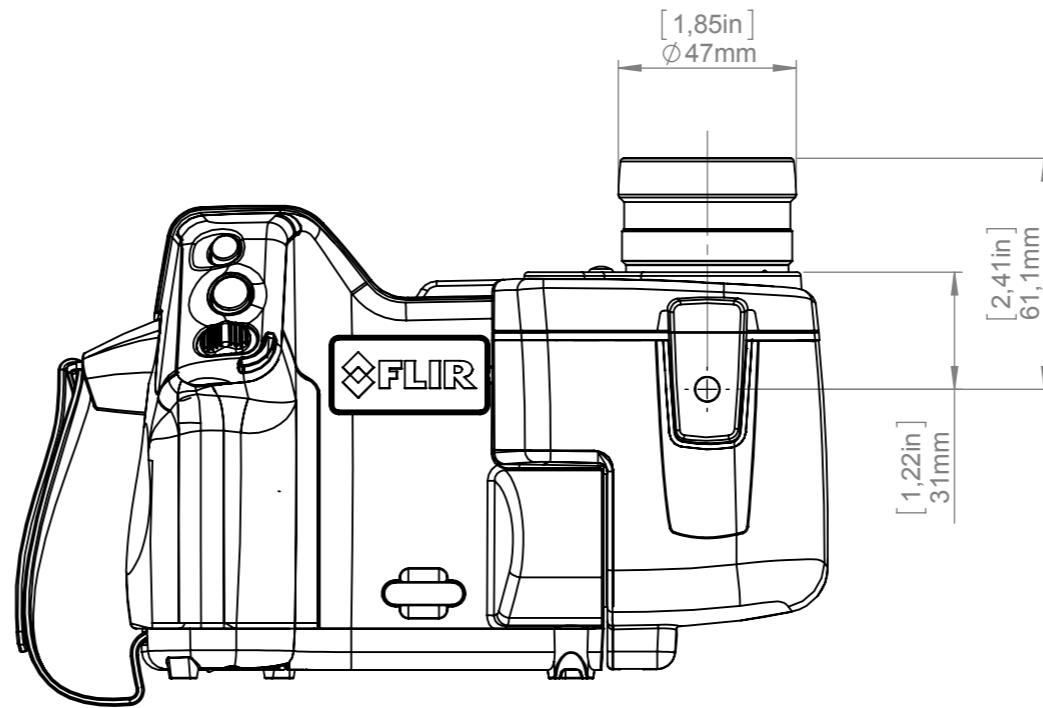
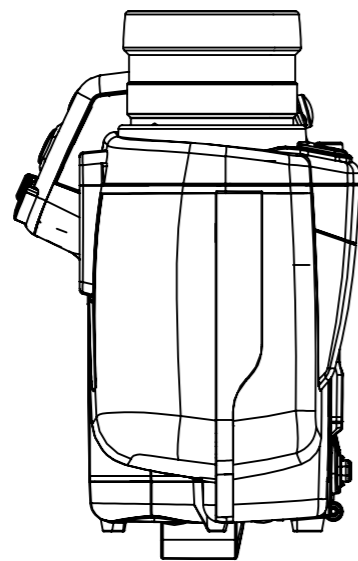
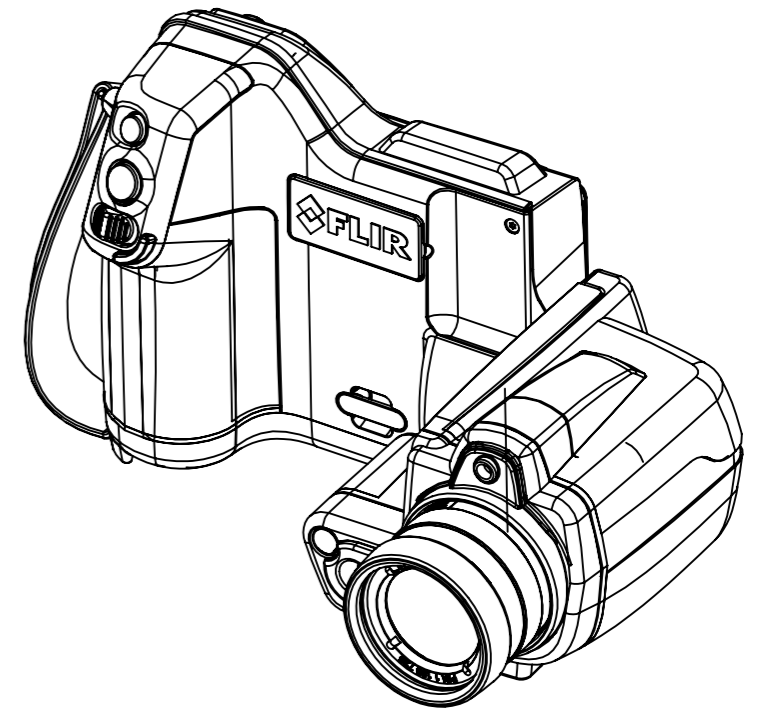
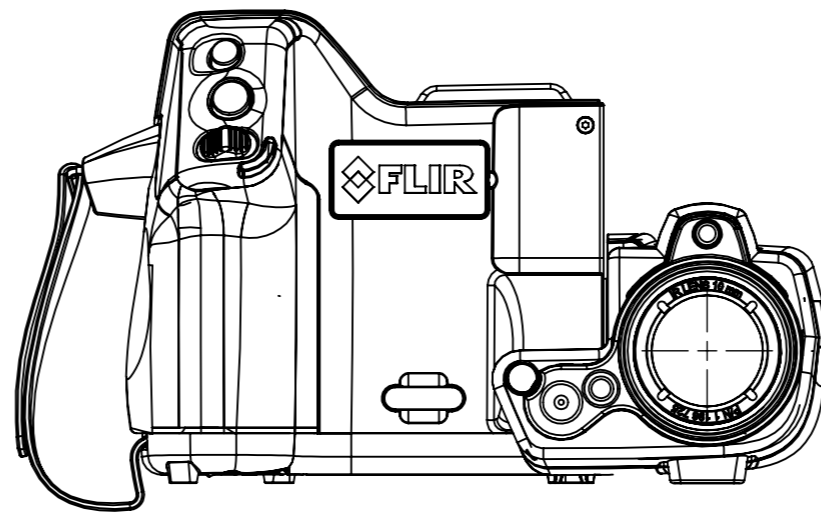
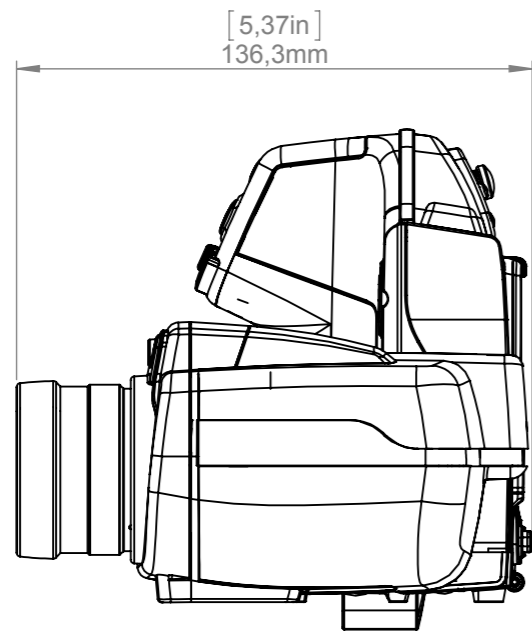
# Camera with Lens IR f=4 mm (90°) incl support



© 2012 FLIR Systems, Inc. All rights reserved worldwide. No part of this drawing may be reproduced, stored in a retrieval system, or transmitted in any form, or by any means, electronic, mechanical, photocopying, recording, or otherwise without written permission from FLIR Systems, Inc. Specifications subject to change without further notice. Dimensional data is based on nominal values. Products may be subject to regional market considerations. License procedures may apply. Product may be subject to US Export Regulations. Please refer to exportquestions@flir.com with any questions. Diversion contrary to US law is prohibited.

Modified 2012-06-07	Check JOTA	Drawn by R&D Thermography	
Denomination			
<b>Basic Dimensions FLIR T4xx</b>			Size <b>A3</b>
Scale <b>1:2</b>			Sheet <b>2(7)</b>
Drawing No. <b>T127604</b>			Size <b>A</b>

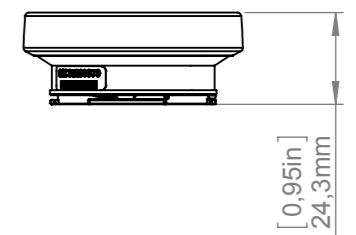
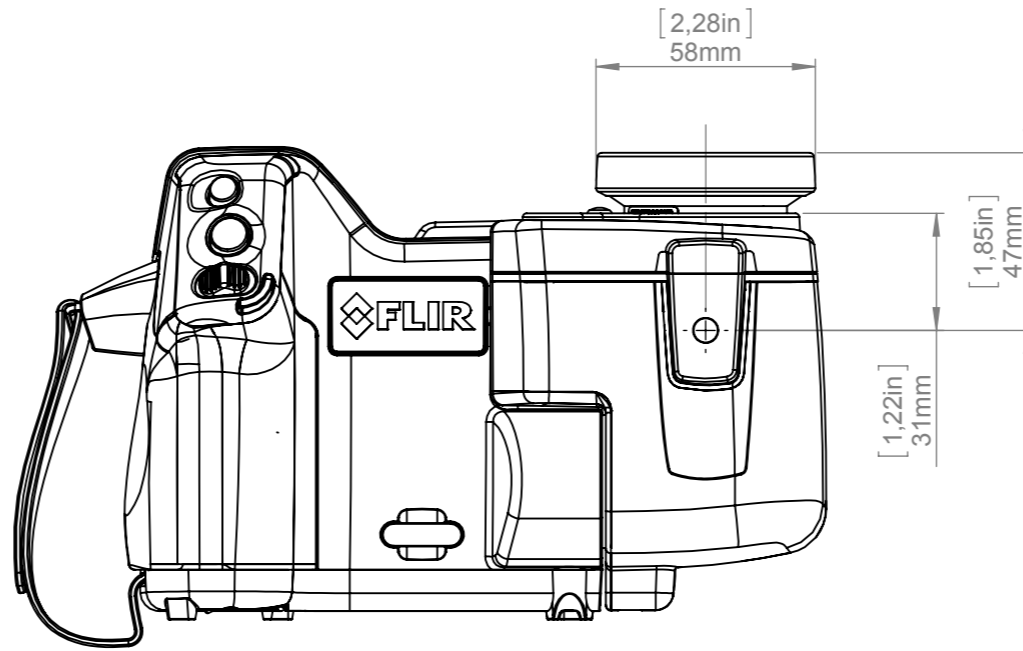
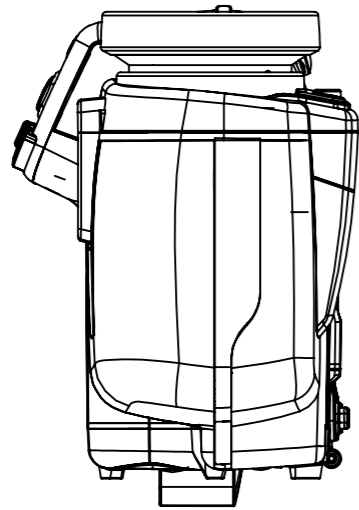
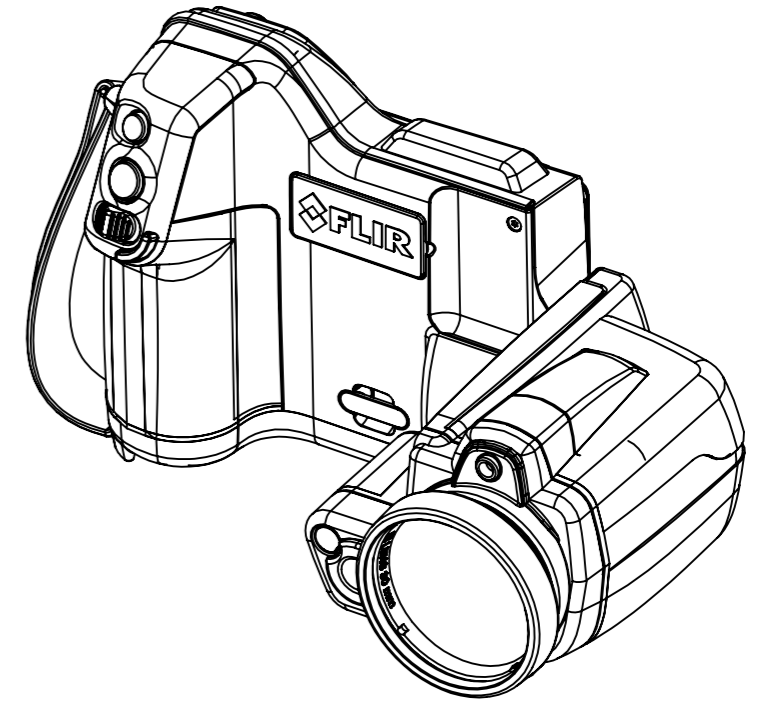
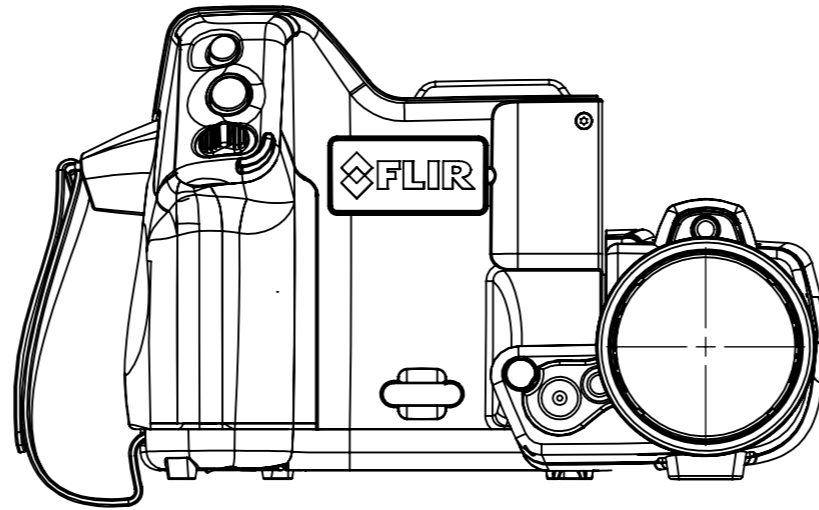
# Camera with Lens IR f=10 mm (45°)



© 2012 FLIR Systems, Inc. All rights reserved worldwide. No part of this drawing may be reproduced, stored in a retrieval system, or transmitted in any form, or by any means, electronic, mechanical, photocopying, recording, or otherwise without written permission from FLIR Systems, Inc. Specifications subject to change without further notice. Dimensional data is based on nominal values. Products may be subject to regional market considerations. License procedures may apply. Product may be subject to US Export Regulations. Please refer to exportquestions@flir.com with any questions. Diversion contrary to US law is prohibited.

Modified 2012-06-07	Check JOTA	Drawn by R&D Thermography	
Denomination			
<b>Basic Dimensions FLIR T4xx</b>			Sheet 3(7) Size <b>A</b>

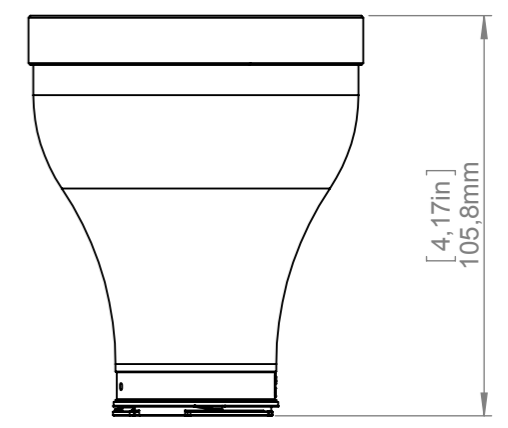
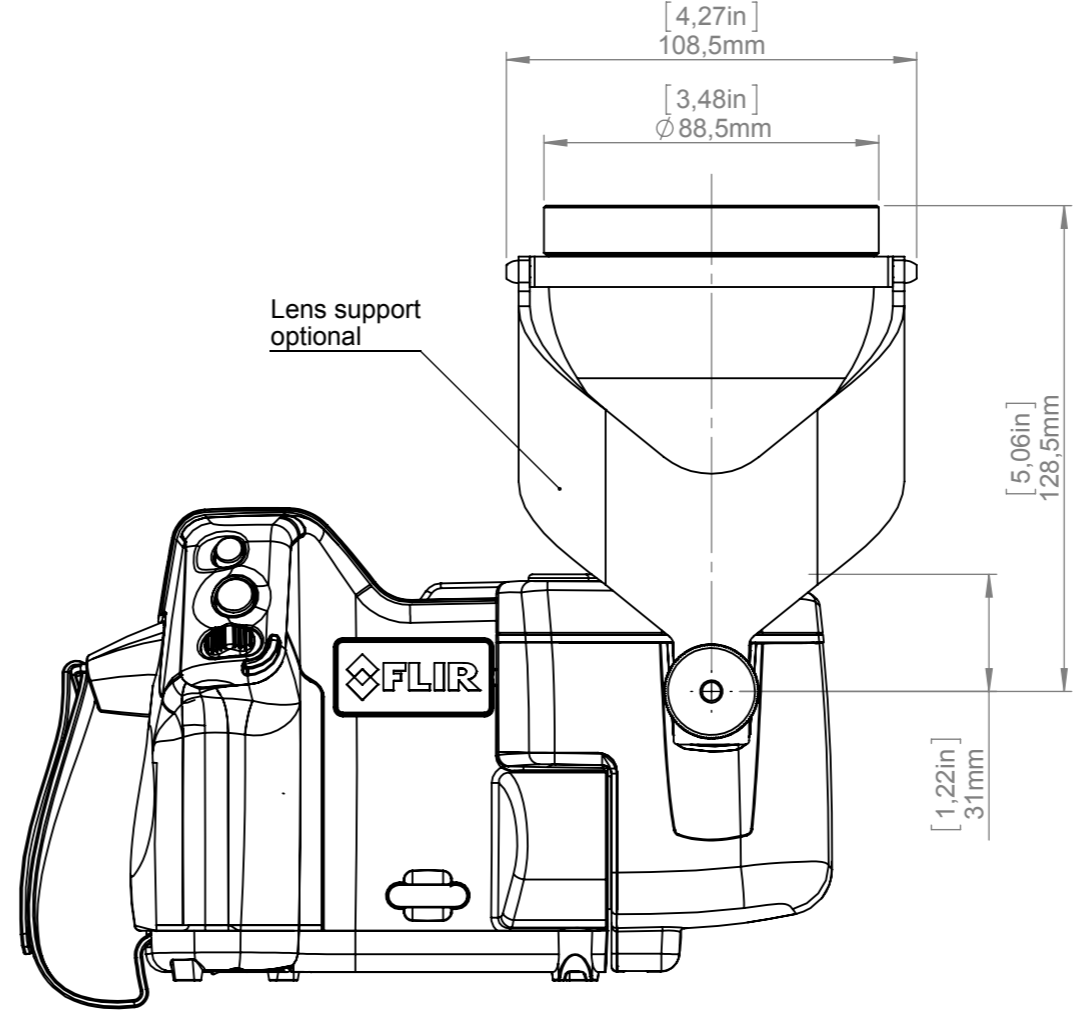
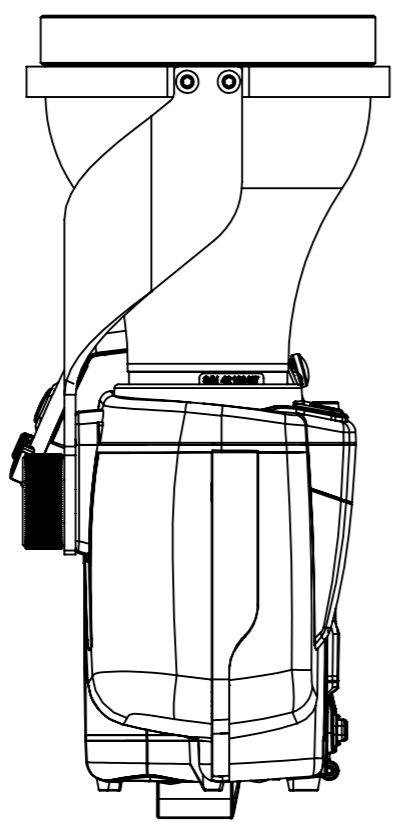
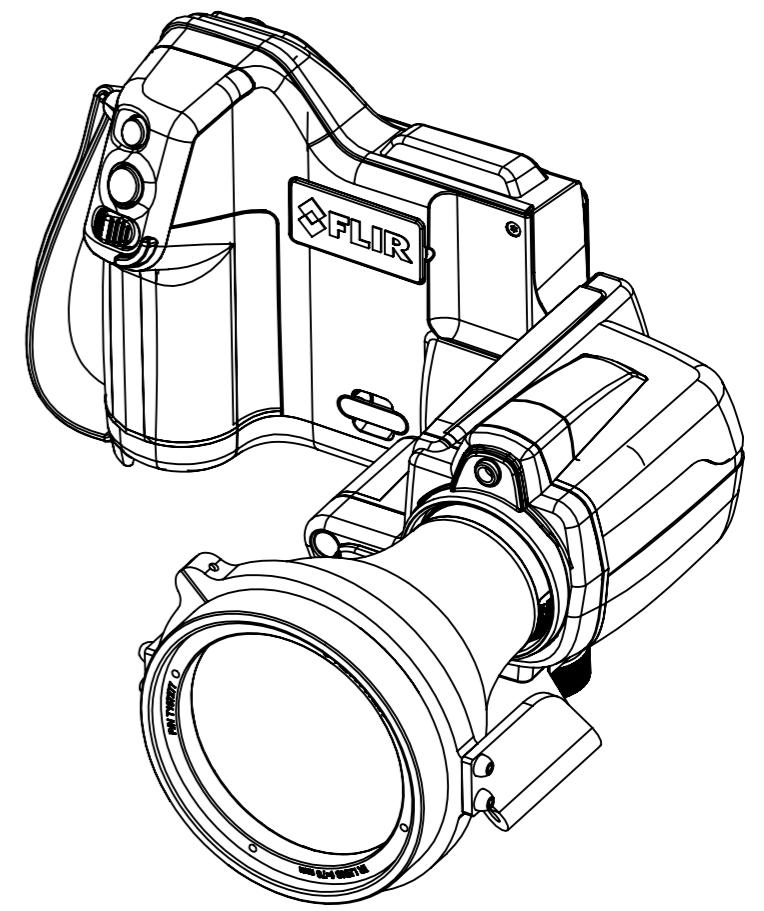
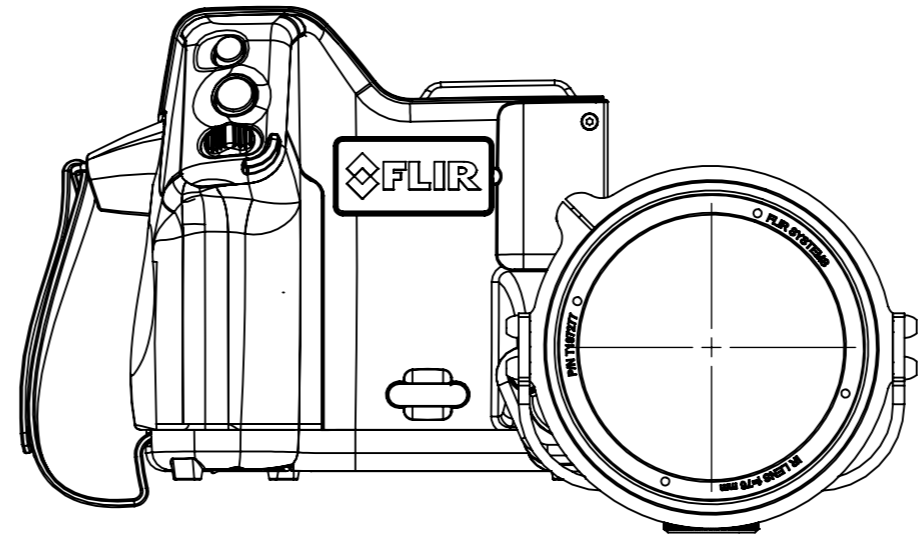
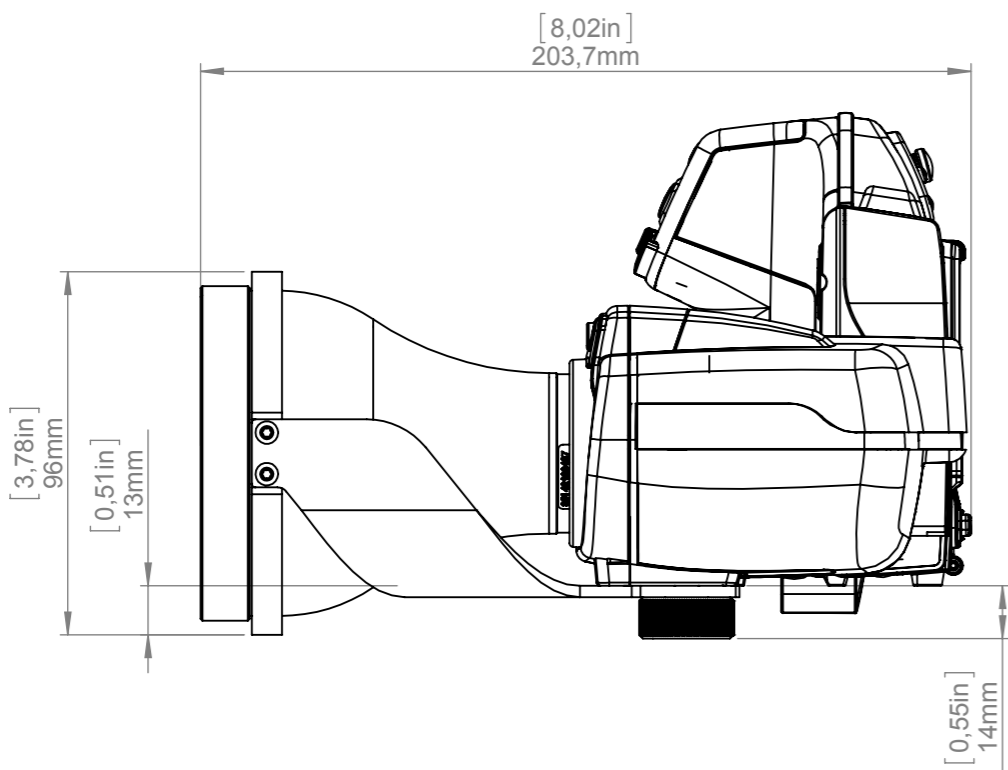
# Camera with Lens IR f=30 mm (15°)



© 2012 FLIR Systems, Inc. All rights reserved worldwide. No part of this drawing may be reproduced, stored in a retrieval system, or transmitted in any form, or by any means, electronic, mechanical, photocopying, recording, or otherwise without written permission from FLIR Systems, Inc. Specifications subject to change without further notice. Dimensional data is based on nominal values. Products may be subject to regional market considerations. License procedures may apply. Product may be subject to US Export Regulations. Please refer to exportquestions@flir.com with any questions. Diversion contrary to US law is prohibited.

Modified 2012-06-07	Check JOTA	Drawn by R&D Thermography	
Denomination			
<b>Basic Dimensions FLIR T4xx</b>			Sheet 4(7) Size A

# Camera with Lens IR f=76 mm (6°) incl support

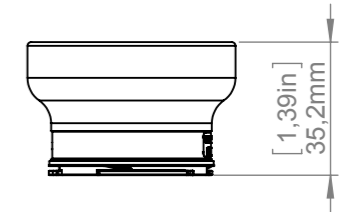
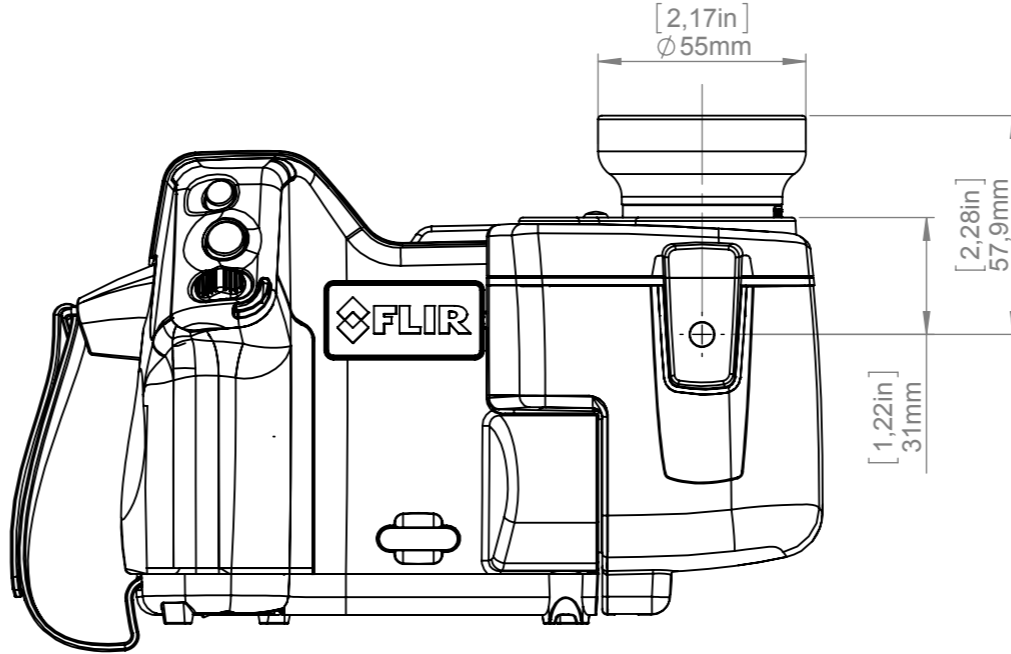
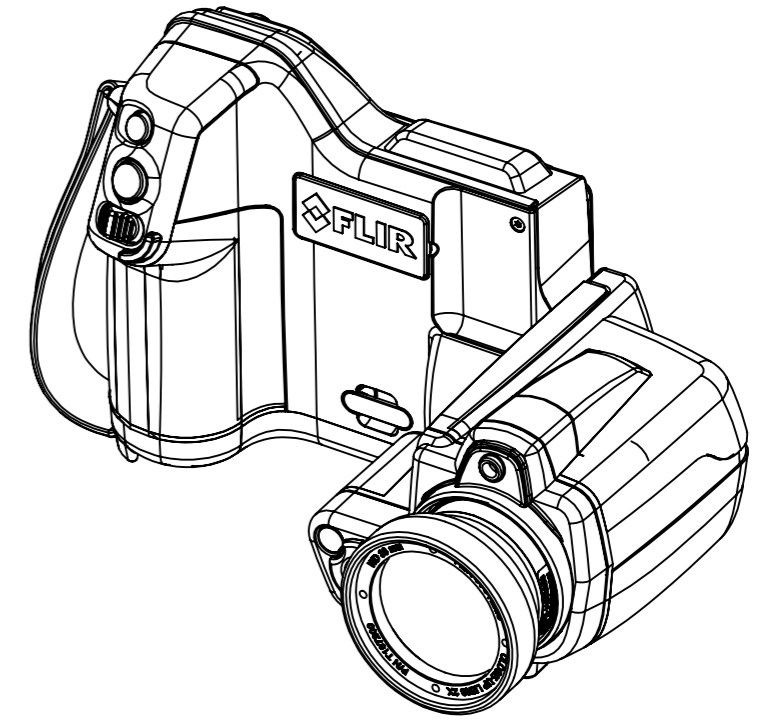
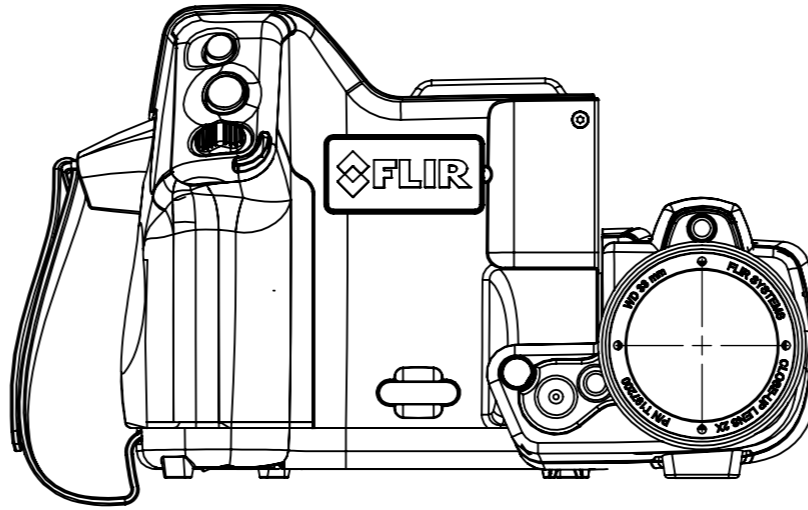
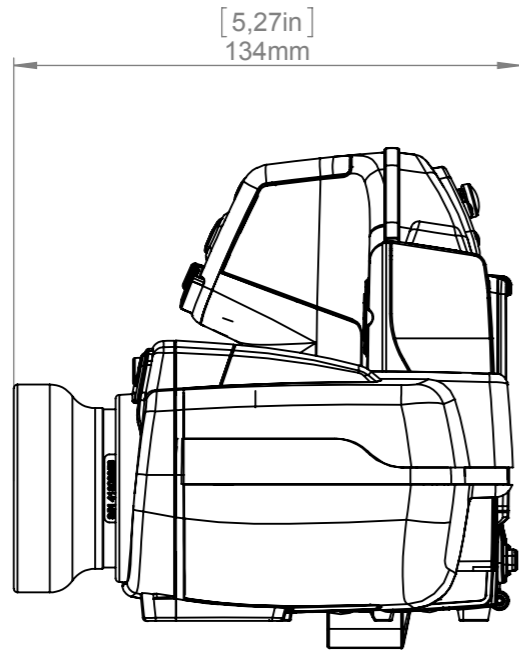


© 2012 FLIR Systems, Inc. All rights reserved worldwide. No part of this drawing may be reproduced, stored in a retrieval system, or transmitted in any form, or by any means, electronic, mechanical, photocopying, recording, or otherwise without written permission from FLIR Systems, Inc. Specifications subject to change without further notice. Dimensional data is based on nominal values. Products may be subject to regional market considerations. License procedures may apply. Product may be subject to US Export Regulations. Please refer to exportquestions@flir.com with any questions. Diversion contrary to US law is prohibited.

Modified 2012-06-07	Check JOTA	Drawn by R&D Thermography	
Denomination			
Basic Dimensions FLIR T4xx			Sheet 5(7) Size A



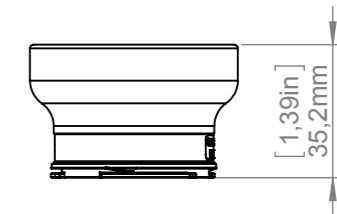
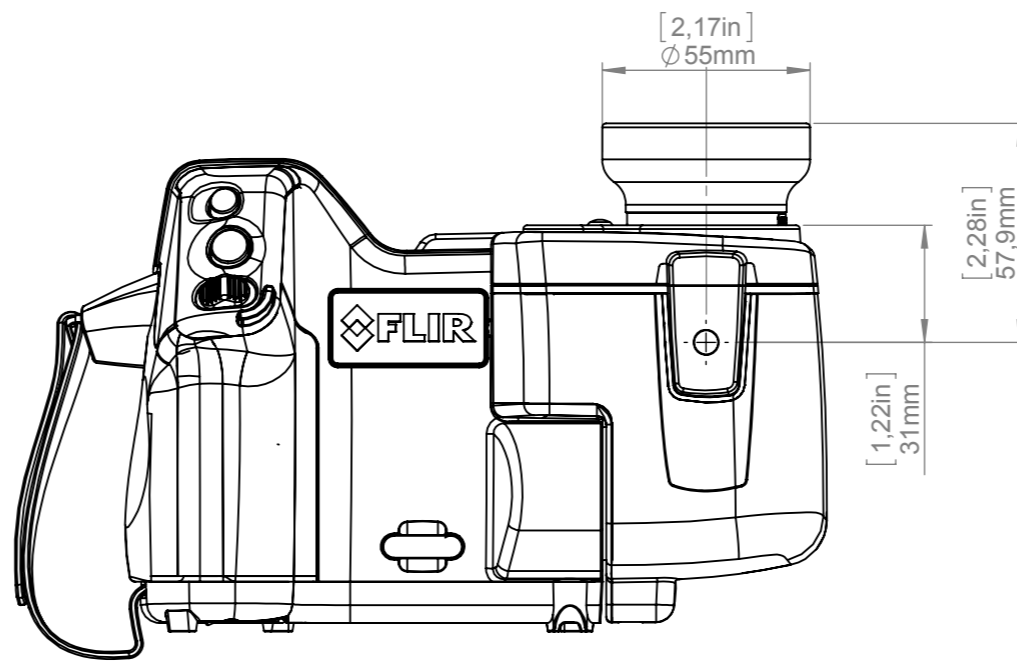
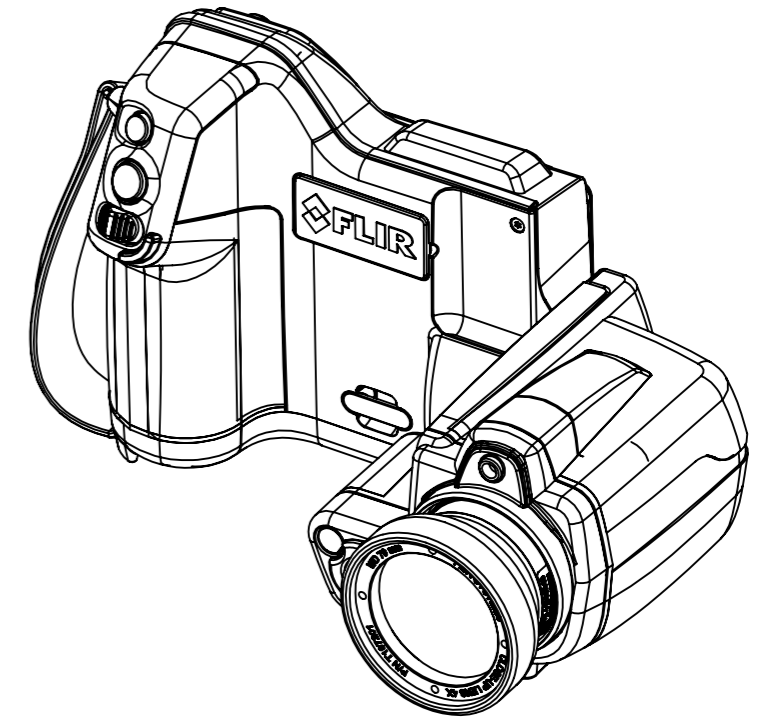
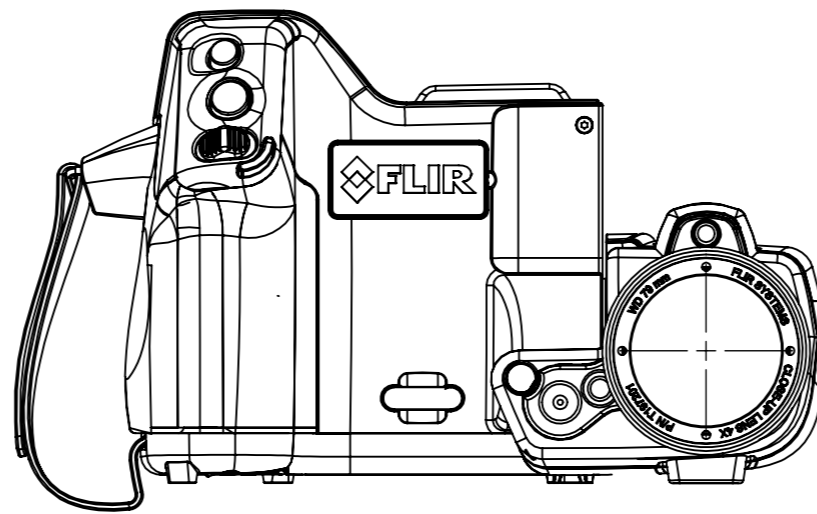
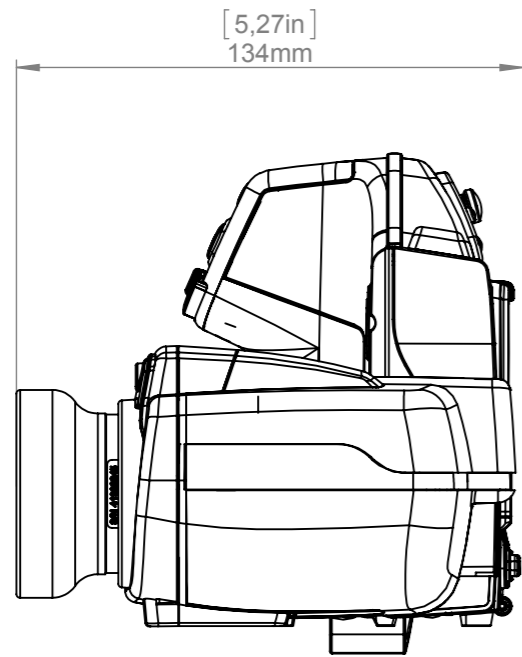
# Camera with Close-up lens 2X (50 μm)



© 2012 FLIR Systems, Inc. All rights reserved worldwide. No part of this drawing may be reproduced, stored in a retrieval system, or transmitted in any form, or by any means, electronic, mechanical, photocopying, recording, or otherwise without written permission from FLIR Systems, Inc. Specifications subject to change without further notice. Dimensional data is based on nominal values. Products may be subject to regional market considerations. License procedures may apply. Product may be subject to US Export Regulations. Please refer to exportquestions@flir.com with any questions. Diversion contrary to US law is prohibited.

Modified 2012-06-07	Check JOTA	Drawn by R&D Thermography	
Denomination			
<b>Basic Dimensions FLIR T4xx</b>			Sheet 6(7) Size A

# Camera with Close-up lens 4X (100 μm)



© 2012 FLIR Systems, Inc. All rights reserved worldwide. No part of this drawing may be reproduced, stored in a retrieval system, or transmitted in any form, or by any means, electronic, mechanical, photocopying, recording, or otherwise without written permission from FLIR Systems, Inc. Specifications subject to change without further notice. Dimensional data is based on nominal values. Products may be subject to regional market considerations. License procedures may apply. Product may be subject to US Export Regulations. Please refer to exportquestions@flir.com with any questions. Diversion contrary to US law is prohibited.

Modified 2012-06-07	Check JOTA	Drawn by R&D Thermography	
Denomination			
<b>Basic Dimensions FLIR T4xx</b>			Sheet 7(7) Size <b>A</b>