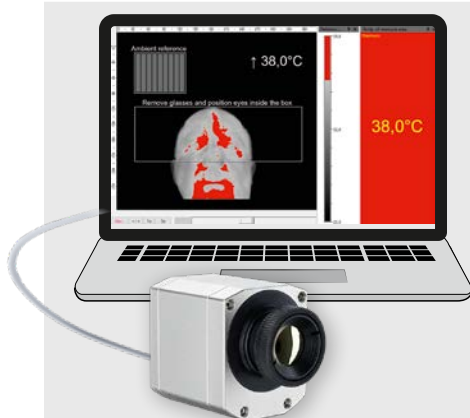
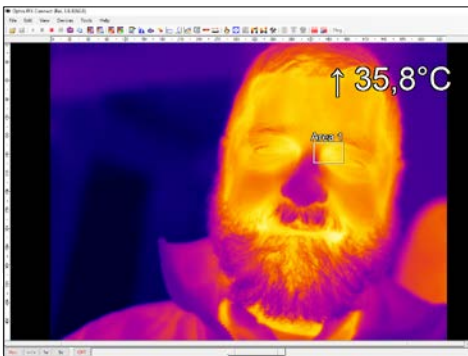


IR camera for the detection of slightest temperature differences for fever screening applications

Features:

- Smallest camera in its class (46 x 56 x 68 – 77 mm)
- Interchangeable lenses
- Superb thermal sensitivity of 40 mK
- Licence-free analysis software and calibration certificate included



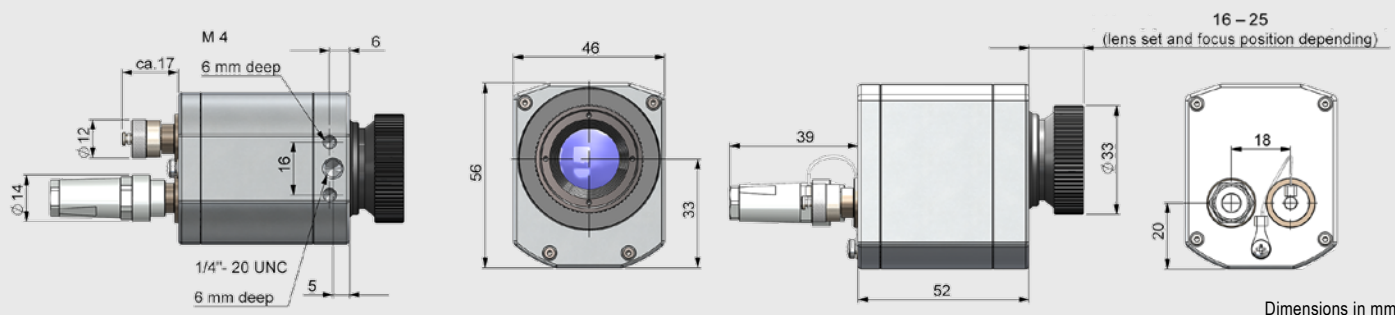
PI 450i T010 and PC with software PIX Connect

Technical specifications

Optical resolution	382 x 288 pixels
Detector	FPA, uncooled (17 μm x 17 μm)
Spectral range	8 – 14 μm
Temperature range	-20 °C ... 100 °C
Frame rate	80 Hz / switchable to 27 Hz
Optics (FOV)	18° x 14° / f = 20 mm or 29° x 22° / f = 12,7 mm or 53° x 38° / f = 7,7 mm or 80° x 54° / f = 5,7 mm
Thermal sensitivity (NETD)	40 mK with 29° x 22° FOV / F = 0.9 40 mK with 53° x 38° FOV / F = 0.9 40 mK with 80° x 54° FOV / F = 0.9 0.06 K with 18° x 14° FOV / F = 1.1
Accuracy	±2 °C
Accuracy with BR 20AR (T _{Amb} 18 °C ... 33 °C)	±0,5 °C (T _{Obj} 30 °C ... 40 °C)
PC interfaces	USB 2.0 / optional USB to GigE (PoE) interface
Standard process interface (PIF)	0 – 10 V input, digital input (max. 24 V), 0 – 10 V output
Industrial process interface (PIF) (optional)	2x 0 – 10 V input, digital input (max. 24 V), 3x 0/4 – 20 mA output, 3x relay (0 – 30 V/ 400 mA), fail-safe relay
Cable length (USB)	1 m (standard), 5 m, 10 m, 20 m
Ambient temperature	0 ... 70 °C
Storage temperature	-40 ... 85 °C
Relative humidity	20 – 80 %, non condensing
Enclosure (size / protection)	46 x 56 x 68–77 mm (depending on lens + focus position) / IP 67 (NEMA 4)
Weight	237 - 251 g (depending on lens)
Shock ¹⁾ / Vibration ¹⁾	IEC 60068-2-27 (25G and 50G) / IEC 60068-2-6 (sinus shaped), IEC 60068-2-64 (broadband noise)
Tripod mount	¼–20 UNC
Power supply	via USB
Scope of supply (standard)	<ul style="list-style-type: none"> • USB camera, incl. lens • USB cable (1 m) • Table tripod • PIF cable, incl. terminal block (1 m) • Software package optris PIX Connect • Test certificate • Rugged outdoor transport case (IP67) • Certificate of calibration (reference temperature: 35 °C)

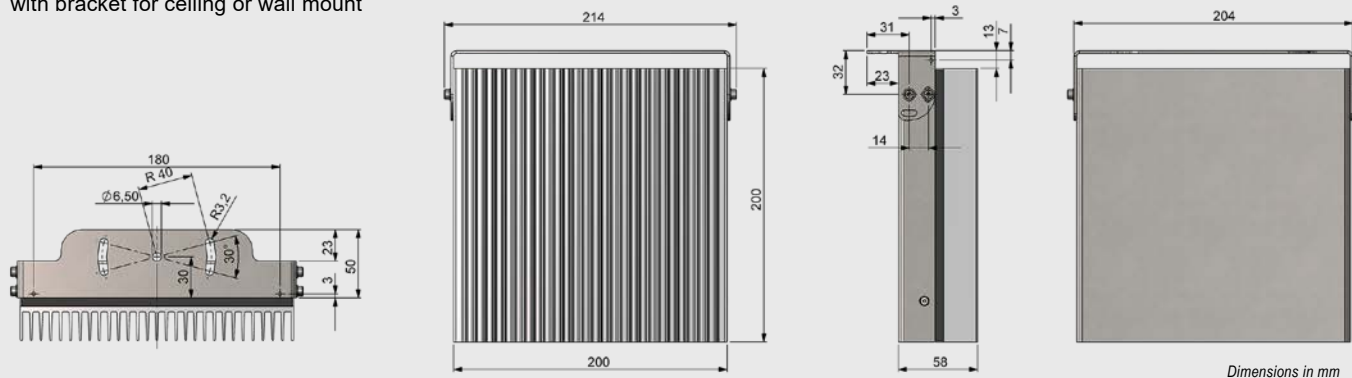
¹⁾ For further information see operator's manual

Dimensions



Recommended accessory

optris BR 20AR - Ambient temperature referencing source
with bracket for ceiling or wall mount



Installation of PI 450i and BR 20AR at an inspection gate for individual fever screening

